

2021 | PPE Essentials





The Manufacturing Advantage...

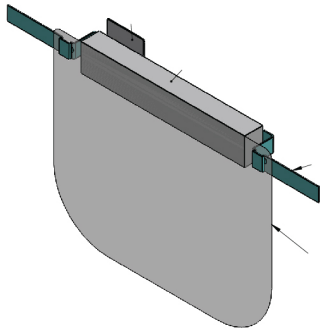
2020 began with hope and optimism for record sales but quickly turned into a reinvention to deal with the unique needs of the COVID-19 Pandemic.

As a primary manufacturer we were able to retool production lines to make Essential PPE products at a time of shortages in the country, especially, in the NY Metro Area.

Within weeks we had designed and built tools to make Face Shields. Materials were sourced and tested. Production lines were set up. Products were approved for use and we scaled from zero to 15,000+ Face Shields weekly. We delivered millions of units at a time of greatest need and were able to remain online continuously through the pandemic.

Distributors requested more and we were able to add USA made Face Masks, Ear Relievers, Counter Shields, Cleaning Supplies, and Hand Sanitizer Kits.

All the products in this catalog are NEW for 2020 and all will be available as long as needed.



Face Masks:	Pages 3-5
Face Shields:	Pages 6-7
Desk and Counter Shields:	Pages 8-11
Pump and Spray Bottles:	Pages 12-13
Essential First Aid Kits:	Pages 14-16
Additional Information:	Page 15



FACE MASKS



Best Seller!

3 Ply Cotton Fitted Face Mask

- 3-Ply Cotton Mask with Replaceable Filter and Adjustable Ear Loops
- Bendable Metal Nose Bridge for a Comfortable Fit
- Hand Wash and Air Dry Only

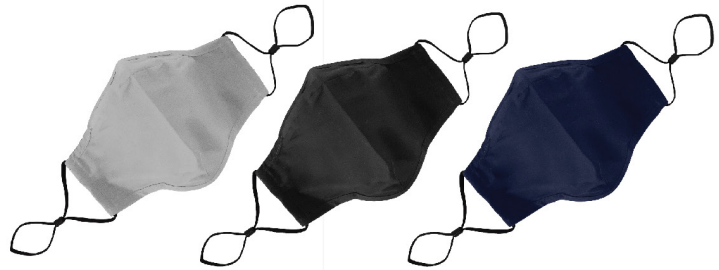
4R	100	250	500	1000
RFM3L 1c Imprint	\$4.20	\$4.05	\$3.90	\$3.75



Extra Filters: Add \$.099(R) for pack of 5
Minimum Order: 100 packs / Style # RFM-5

Product Size: 6" H x 9-1/2" W
Imprint Area: Right / Left Cheek
Imprint Size: 1-3/4" H x 2-3/4" W

Blank Price: \$4.04 (r) / Unit - Minimum 250
Product Material: 100% Cotton Lining / Polyester Fabric
Standard Packing: 500 Units / Carton 15 lbs
Carton Size: 21" x 16" x 16"



Brilliant Color!
4C PROCESS DIGITAL PRINTING
Add \$1.20 (v) / Unit / Min. 250
See Page 15 for Details



Fitted Stretch Face Mask

- 2-Ply from Laminated Polyester Fabric
- Front Stitched for Contoured Fitting
- Hand Wash and Air Dry Only

4R	250	500	1000	2500
FM215 1c Imprint	\$3.21	\$3.01	\$2.81	\$2.61



Product Size: 5" H x 12" W
Imprint Area: Right / Left Cheek
Imprint Size: 2" H x 2-1/2" W

Blank Price: \$2.81 (r) / Unit - Minimum 250
Product Material: Polyester
Standard Packing: 500 Units / Carton 15 lbs
Carton Size: 21" x 16" x 16"



Brilliant Color!
4C PROCESS DIGITAL PRINTING
Add \$1.20 (v) / Unit / Min. 250
See Page 15 for Details



3-Ply Cotton Fitted Mask

- 3 - Ply Cotton Face Mask with Adjustable Ear Loops
- Bendable Metal Nose Bridge to Reduce Gaps
- Hand Wash and Air Dry Only

4R	100	250	500	1000
RFM3A 1c Imprint Adult	\$3.60	\$3.45	\$3.30	\$3.15
RFM3J 1c Imprint Youth	\$3.60	\$3.45	\$3.30	\$3.15

<p>BLACK</p> <p>LIGHT GRAY</p> <p>NAVY BLUE</p>	<p>Adult & Youth Size</p>	<p>ROYAL BLUE</p>	<p>Youth Size ONLY</p>
---	-------------------------------	-------------------	------------------------

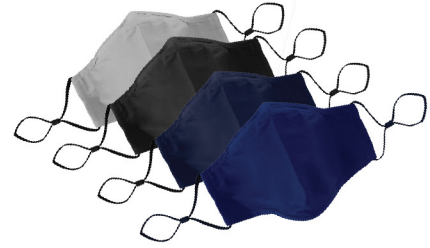
RFM3A Adult Size: 6" H x 9-1/5" W
Imprint Size: 1-3/4" H x 2-3/4" W
Blank Price: \$2.99 (r) / Unit - Min. 100

RFM3J Youth Size: 4-3/4" H x 7" W
Imprint Size: 1-3/4" H x 2-3/4" W
Blank Price: \$3.44 (r) / Unit - Min. 100

Imprint Area: Right / Left Cheek
Product Material: 65% Cotton / 35% Polyester Outer
Standard Packing: 500 Units / Carton 15 lbs
Carton Size: 21" x 16" x 16"



Brilliant Color!
 PROCESS DIGITAL PRINTING
 Add \$1.20 (v) / Unit / Min. 250
 See Page 15 for Details



Stretch Fit Promo FACE MASK

- 2 - Ply Masks made from Laminated Polyester Fabric
- Material is Stretchable - Ear Loops will Fit Most
- Hand Wash and Air Dry Only

4R	250	500	1000	2500
FM212 1c Imprint Adult	\$2.25	\$2.05	\$1.85	\$1.65
FM210 1c Imprint Youth	\$2.19	\$1.99	\$1.79	\$1.59

<p>BLACK</p> <p>LIGHT GRAY</p> <p>NAVY BLUE</p>

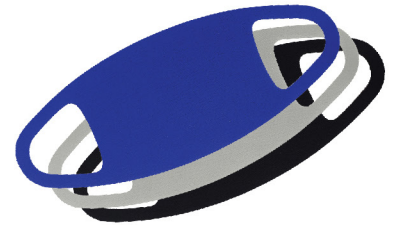
FM212 Adult Size: 4-3/4" H x 12" W
Imprint Size: 3-1/2" H x 4" W
Blank Price: \$2.15 (r) / Unit - Min. 250

FM210 Youth Size: 3-3/4" H x 10" W
Imprint Size: 2-3/4" H x 3-1/2" W
Blank Price: \$2.09 (r) / Unit - Min. 250

Imprint Area: Center
Product Material: Polyester
Standard Packing: 1000 Units / Carton 15 lbs
Carton Size: 21" x 16" x 16"



Brilliant Color!
 PROCESS DIGITAL PRINTING
 Add \$1.20 (v) / Unit / Min. 250
 See Page 15 for Details



Cooling Face Mask

- 2-Ply from Cooling Polyester Fabric - Soft Poly Material
- Bendable Metal Nose Bridge to Reduce Gaps
- Includes Adjustable Ear Loops for a Comfortable Fit

4R	100	500	1000	2500
FM57 1c Imprint	\$3.44	\$3.29	\$3.14	\$2.99

<p>BLACK</p>

Product Size: 5" H x 7" W
Imprint Area: Right / Left Cheek
Imprint Size: 2-1/2" H x 3-1/2" W

Blank Price: \$3.24 (r) / Unit - Minimum 100
Product Material: Polyester
Standard Packing: 500 Units / Carton 15 lbs
Carton Size: 21" x 16" x 16"

Brilliant Color!
 PROCESS DIGITAL PRINTING
 Add \$1.20 (v) / Unit / Min. 250
 See Page 15 for Details





Stretchable Polyester Face Mask

- Made with Polyester Fabric with Foam Lining
- Material is Stretchable - Ear Loops will Fit Most

4R	250	500	1000	2500
FM612 1c Imprint	\$2.25	\$2.05	\$1.85	\$1.65

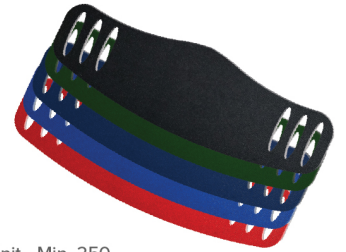


Product Size: 4-1/2" H x 14" W
Imprint Area: Right / Left Cheek
Imprint Size: 2" H x 2" W

Blank Price: \$2.19 (r) / Unit - Min. 250
Product Material: Polyester
Standard Packing: 500 Units / Carton 15 lbs
Carton Size: 21" x 16" x 16"



Brilliant Color!
 4C PROCESS DIGITAL PRINTING
 Add \$1.20 (v) / Unit / Min. 250
 See Page 15 for Details



Fitted Face Mask

- Made with Polyester Fabric with Foam Lining
- Material is Stretchable - Ear Loops will Fit Most
- Extended Nose Grip for Fitted Coverage

4R	250	500	1000	2500
FM415 1c Imprint	\$3.99	\$3.79	\$3.59	\$3.39



Product Size: 6-1/2" H x 12" W
Imprint Area: Right / Left Cheek
Imprint Size: 2" H x 2" W

Blank Price: \$3.54 (r) / Unit - Min. 250
Product Material: Polyester
Standard Packing: 500 Units / Carton 15 lbs
Carton Size: 21" x 16" x 16"



Brilliant Color!
 4C PROCESS DIGITAL PRINTING
 Add \$1.20 (v) / Unit / Min. 250
 See Page 15 for Details



Ear Reliever

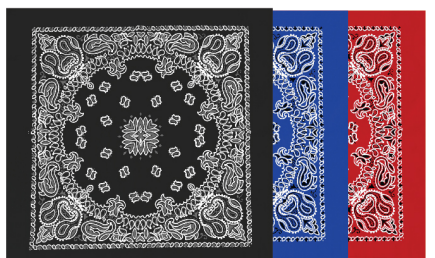
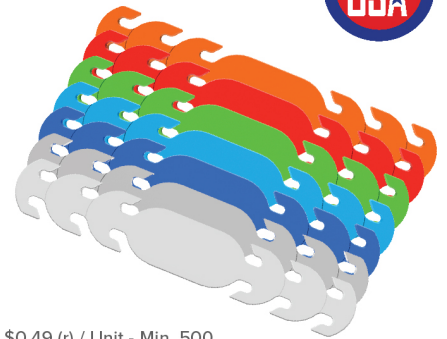
- Alleviates Irritation Caused by Face Masks
- 3 Slots make it Adjustable - One Size Fits All
- Custom Color Available Upon Request

4R	500	1000	2500	5000
ES100 1c Imprint	\$0.89	\$0.79	\$0.69	\$0.59



Product Size: 1-1/8" H x 7-1/4" W
Imprint Area: Center
Imprint Size: 7/8" H x 2-1/8" W

Blank Price: \$0.49 (r) / Unit - Min. 500
Product Material: Polyester
Standard Packing: 1000 Units / Carton 18 lbs
Carton Size: 17" x 16" x 6"



22" Paisley Bandanas

- Multi-Use Hemmed Bandana
- Made with 100% Cotton with Printed Paisley Pattern

4R	250	500	1000	2500
BA22P 1c Imprint	\$2.25	\$2.05	\$1.85	\$1.65
BA22P - Blank	\$2.15	\$1.95	\$1.75	\$1.55

Product Size: 22" H x 22" W
Imprint Area: On Border
Imprint Size: 1" H x 6" W
Standard Packing: 250 Units / Carton 30 lbs
Carton Size: 16" x 15" x 12"

FACE SHIELDS



Adult Size Adjustable Face Shield

- Fog-Resistant - Clean with Alcohol or Disinfectant
- Elastic Band is NOT made with Natural Rubber Latex
- Ships Fully Assembled

4R	100	200	500	1000
FS104 1c Imprint Adult	\$3.89	\$3.59	\$3.29	\$2.99

Product Size: 9" H x 12" W x 1" D
Imprint Area: Front / Top
Imprint Size: 1" H x 7" W
Blank Price: \$2.79 (r) / Unit - Min. 100

Product Material: 100% Post-Consumer Recycled rPet - 0.012" Thickness
 Elastic Band is Polyisoprene
Standard Packing: 100 Units / Carton 11 lbs
Carton Size: 16" x 12" x 14"



Brilliant Color!
 4C PROCESS DIGITAL PRINTING
 Add \$1.20 (v) / Unit
 See Page 15 for Details



Youth Size Adjustable Face Shield

- Fog-Resistant - Clean with Alcohol or Disinfectant
- Elastic Band is NOT made with Natural Rubber Latex
- Ships Fully Assembled

4R	100	250	500	1000
FS103 1c Imprint Youth	\$3.89	\$3.59	\$3.29	\$2.99

Product Size: 8-1/2" H x 9-1/2" W x 1" D
Imprint Area: Front / Top
Imprint Size: 1" H x 6" W
Blank Price: \$2.79 (r) / Unit - Min. 100

Product Material: 100% Post-Consumer Recycled rPet - 0.012" Thickness
 Elastic Band is Polyisoprene
Standard Packing: 100 Units / Carton 11 lbs
Carton Size: 16" x 12" x 14"



Brilliant Color!
 4C PROCESS DIGITAL PRINTING
 Add \$1.20 (v) / Unit
 See Page 15 for Details



4-1/2" Reusable Fog-Resistant Eye Shield

- Eyeshields with Comfort Frames
- Fog-Resistant - Clean with Alcohol or Disinfectant
- Instructions Included for Self-Assembly

4R	100	250	500	1000
FS109 1c Imprint	\$3.30	\$3.20	\$3.10	\$3.00

Product Size: 4-1/2" H x 9-3/4" W
Imprint Area: Front / Top
Imprint Size: 1" H x 7" W

Blank Price: \$3.05 (r) / Unit - Minimum 100
Product Material: 100% Post-Consumer Recycled rPet - 0.012" Thickness
Standard Packing: 100 / Carton 11 lbs
Carton Size: 17" x 12" x 5"



Brilliant Color!
 4C PROCESS DIGITAL PRINTING
 Add \$1.20 (v) / Unit
 See Page 15 for Details



Replacement Shields:
 5-pack Blanks: Add \$1.99(R) - 20 pack Minimum
 10-pack Blanks: Add \$3.30(R) - 10 pack Minimum



Best Seller!
Adult Size
Reusable Face Shield

- Fog-Resistant - Clean with Alcohol or Disinfectant
- Frame, Shield and Instruction Card are included
- Some Assembly Required

4R	100	250	500	1000
FS107 1c Imprint Adult	\$3.30	\$3.20	\$3.10	\$3.00

Product Size: 7-61/8" H x 9-3/4" W
Imprint Area: Front / Top
Imprint Size: 1" H x 7" W
Blank Price: \$3.05 (r) / Unit - Min. 100

Product Material: 100% Post-Consumer Recycled rPet - 0.012" Thickness
Standard Packing: 100 Units / Carton 11 lbs
Carton Size: 17" x 12" x 5"



Brilliant Color!
PROCESS DIGITAL PRINTING

Add \$1.20 (v) / Unit
 See Page 15 for Details



Replacement Shields:
 5-pack Blanks: Add \$1.99(R) - 20 pack Minimum
 10-pack Blanks: Add \$3.30(R) - 10 pack Minimum



Youth Size
Reusable Face Shield

- Fog-Resistant - Clean with Alcohol or Disinfectant
- Frame, Shield and Instruction Card are included
- Some Assembly Required

4R	100	250	500	1000
FS106 1c Imprint Youth	\$3.30	\$3.20	\$3.10	\$3.00

Product Size: 6" H x 9-3/4" W
Imprint Area: Front / Top
Imprint Size: 1" H x 7" W
Blank Price: \$3.05 (r) / Unit - Min. 100

Product Material: 100% Post-Consumer Recycled rPet - 0.012" Thickness
Standard Packing: 100 Units / Carton 11 lbs
Carton Size: 17" x 12" x 5"



Brilliant Color!
PROCESS DIGITAL PRINTING

Add \$1.20 (v) / Unit
 See Page 15 for Details



Replacement Shields:
 5-pack Blanks: Add \$1.99(R) - 20 pack Minimum
 10-pack Blanks: Add \$3.30(R) - 10 pack Minimum



Fun Face Shields
(FS107A, FS108H, FS108S, FS108P)

- Replaceable Shields with Comfortable Frames
- Fog-Resistant - Clean with Alcohol or Disinfectant
- Frame, Shield and Instruction Card are included
- Some Assembly Required

4R	100	200	500	1000
1c Imprint	\$3.89	\$3.69	\$3.49	\$3.29
Full Color Digital	\$6.39	\$6.09	\$5.79	\$5.49

Product Size: 7-61/8" H x 9-3/4" W
Imprint Area: Front
Imprint Size: Customizable

Product Material: 100% Post-Consumer Recycled rPet - 0.012" Thickness
Standard Packing: 100 / Carton 11 lbs
Carton Size: 17" x 12" x 5"



Brilliant Color!
PROCESS DIGITAL PRINTING

See Page 15 for Details



Replacement Shields:
 5-pack Blanks: Add \$1.99(R) - 20 pack Minimum
 10-pack Blanks: Add \$3.30(R) - 10 pack Minimum

DESK & COUNTER SHIELDS



23-1/2" Economy Sneeze Guard

- 1/8" Thickness Shield with Rounded Corners
- Includes (2) 3/16" Thickness Stands
- Optional Slot Available Upon Request

4R	1	10	25	50
ECS24 Blank	\$50.00	\$45.00	\$40.00	\$35.00

Product Size: 23-1/2" H x 23-1/2" W
Product Material: 1/8" Acrylic
Standard Packing: 10 Units / Carton 32 lbs
Carton Size: 32" x 24" x 2"

Optional Imprint: Add \$9.50 (r) / Unit
Imprint Size: 4" H x 12" W
Set-Up Charge: \$65 (v) / Imprint



31-1/2" Economy Sneeze Guard

- 1/8" Thickness Shield with Rounded Corners
- Includes (2) 3/16" Thickness Stands
- Optional Slot Available Upon Request

4R	1	10	25	50
ECS32 Blank	\$60.00	\$55.00	\$50.00	\$45.00

Product Size: 23-1/2" H x 31-1/2" W
Product Material: 1/8" Acrylic
Standard Packing: 8 Units / Carton 33 lbs
Carton Size: 32" x 24" x 2"

Optional Imprint: Add \$9.50 (r) / Unit
Imprint Size: 4" H x 12" W
Set-Up Charge: \$65 (v) / Imprint



47-1/2" Economy Sneeze Guard

- 1/8" Thickness Shield with Rounded Corners
- Includes (2) 3/16" Thickness Stands
- Optional Slot Available Upon Request

4R	1	10	25	50
ECS48 Blank	\$80.00	\$75.00	\$70.00	\$65.00

Product Size: 23-1/2" H x 47-1/2" W
Product Material: 1/8" Acrylic
Standard Packing: 4 Units / Carton 30 lbs
Carton Size: 48" x 24" x 2"

Optional Imprint: Add \$9.50 (r) / Unit
Imprint Size: 4" H x 12" W
Set-Up Charge: \$65 (v) / Imprint



Side Angle View



Side Angle View with 4" H x 12" W Slot Included



Front View



Side View



23-1/2" Counter Shield

- 3/16" Thickness Shield with Rounded Corners
- Includes (2) 1/2" Thickness Stands
- Optional Slot Available Upon Request

4R	1	10	25	50
CS2424 Blank	\$70.00	\$65.00	\$60.00	\$55.00

Product Size:	23-1/2" H x 23-1/2" W	Optional Imprint:	Add \$9.50 (r) / Unit
Product Material:	3/16" Acrylic	Imprint Size:	4" H x 12" W
Standard Packing:	5 Units / Carton 25 lbs	Set-Up Charge:	\$65 (v) / Imprint
Carton Size:	32" x 24" x 2"		



31-1/2" Vertical Counter Shield

- 3/16" Thickness Shield with Rounded Corners
- Includes (2) 1/2" Thickness Stands
- Also Available Horizontal (23-1/2" H x 31-1/2" W) (CS2432)
- Optional Slot Available Upon Request

4R	1	10	25	50
CS3224S Blank	\$93.00	\$88.00	\$83.00	\$78.00

Product Size:	31-1/2" H x 23-1/2" W	Optional Imprint:	Add \$9.50 (r) / Unit
Product Material:	3/16" Acrylic	Imprint Size:	4" H x 12" W
Standard Packing:	5 Units / Carton 32 lbs	Set-Up Charge:	\$65 (v) / Imprint
Carton Size:	32" x 24" x 2"		

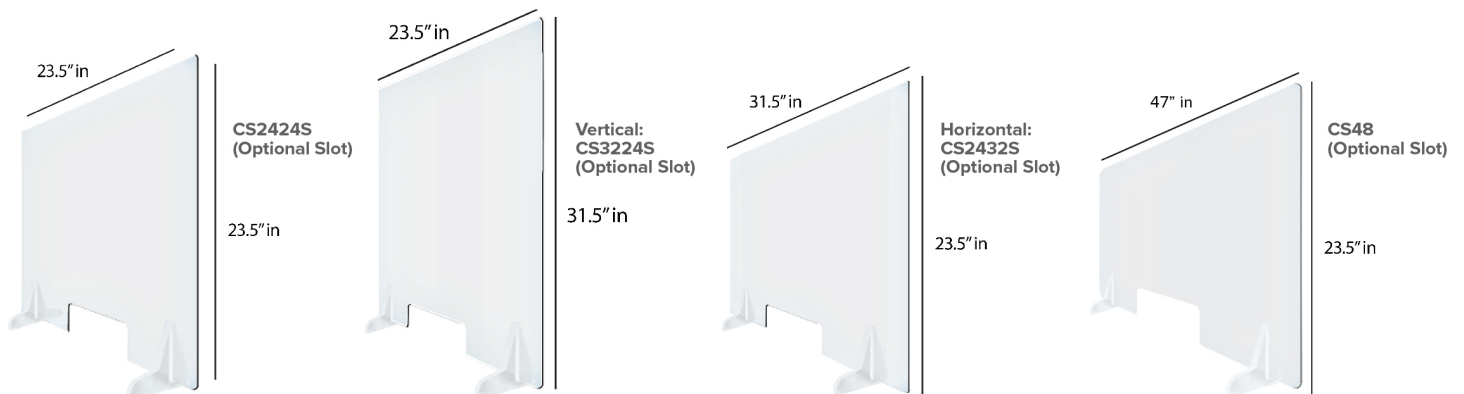


47" Counter Shield

- 3/16" Thickness Shield with Rounded Corners
- Includes (2) 1/2" Thickness Stands
- Optional Slot Available Upon Request

4R	1	10	25	50
CS48 Blank	\$110.00	\$105.00	\$100.00	\$95.00

Product Size:	23-1/2" H x 47" W	Optional Imprint:	Add \$9.50 (r) / Unit
Product Material:	3/16" Acrylic	Imprint Size:	4" H x 12" W
Standard Packing:	3 Units / Carton 28 lbs	Set-Up Charge:	\$65 (v) / Imprint
Carton Size:	48" x 24" x 2"		





3-Panel Desk Shield

- 23-1/2" H x 23-1/2" W with 15-1/2" W Side Panels
- 3/16" Thickness Shield with Rounded Corners
- Optional Slot and/or Handle Slot at NO Additional Charge



	4R	1	10	25	50
DSU2416 Blank		\$135.00	\$130.00	\$125.00	\$120.00

Product Size: 23-1/2" H x 23-1/2" W x 15-1/2" W Sides
Product Material: 3/16" Acrylic
Standard Packing: 3 Units / Carton 33 lbs
Carton Size: 24" x 24" x 2"

Optional Imprint: Add \$9.50 (r) / Unit
Imprint Size: 4" H x 12" W
Set-Up Charge: \$65 (v) / Imprint



3-Panel Desk Shield with Hinges

- 23-1/2" H x 23-1/2" W with 15-1/2" W Side Panels
- Includes Adjustable Hinges
- 1/8" Thickness Shield with Rounded Corners
- Optional Slot and/or Handle Slot at NO Additional Charge



	4R	1	10	25	50
DSU2416H Blank		\$95.00	\$90.00	\$85.00	\$80.00

Adjustable Hinges!

Product Size: 23-1/2" H x 23-1/2" W x 15-1/2" W Sides
Product Material: 3/16" Acrylic
Standard Packing: 4 Units / Carton 29 lbs
Carton Size: 24" x 24" x 2"

Optional Imprint: Add \$9.50 (r) / Unit
Imprint Size: 4" H x 12" W
Set-Up Charge: \$65 (v) / Imprint



4-Panel Table Shield

- 23-1/2" H x 47" W x 47" D
- 3/16" Thickness Shield with Rounded Corners
- Unique Design to Allow 4 People to Sit Safely

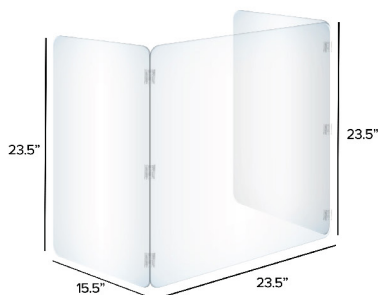


	4R	1	10	25	50
CS448 Blank		\$214.00	\$209.00	\$204.00	\$199.00

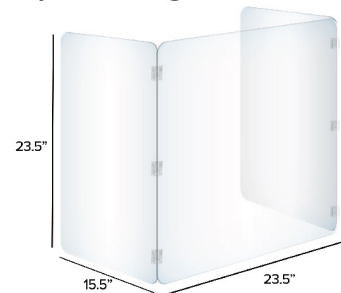
Product Size: 23-1/2" H x 23-1/2" W Panels
Product Material: 3/16" Acrylic
Standard Packing: 1 Units / Carton 22 lbs
Carton Size: 24" x 24" x 2"

Optional Imprint: Add \$9.50 (r) / Unit
Imprint Size: 4" H x 12" W
Set-Up Charge: \$65 (v) / Imprint

DSU2416



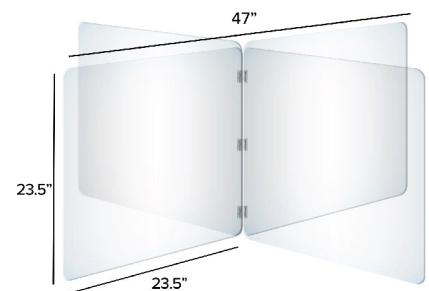
DSU2416H Adjustable Hinges



Adjustable Hinges



CS448





Lightweight 3-Panel Desk Shield with Handle



- 23-1/2" H x 23-1/2" W with 16" W Side Panels
- Lightweight for Easy Portability
- Folds with Handle - Great for Students
- 0.030" Thickness Shield with Rounded Corners
- Includes Three Self-Adhesive Desk Clips with Velcro

Adjustable Hinges!

4R	20	50	100	250
DS316 Blank	\$35.99	\$33.99	\$31.99	\$29.99

Product Size: 23-1/2" H x 23-1/2" W x 16" W Sides
Product Material: 0.030" Rigid Clear PVC
Standard Packing: 10 Units / Carton 24 lbs
Carton Size: 24" x 24" x 2"

Optional Imprint: Add \$7.50 (r) / Unit
Imprint Size: 4" H x 12" W
Set-Up Charge: \$65 (v) / Imprint



Portable 3-Panel Desk Shield



- 23-1/2" H x 23-1/2" W with 11-1/2" W Side Panels
- Includes Adjustable Hinges
- 1/8" Thickness Shield with Rounded Corners
- Optional Slot and/or Handle Slot at NO Additional Charge

Adjustable Hinges!

4R	1	10	25	50
DSU2412H Blank	\$87.00	\$82.00	\$77.00	\$72.00

Product Size: 23-1/2" H x 23-1/2" W x 11-1/2" W Sides
Product Material: 1/8" Acrylic
Standard Packing: 5 Units / Carton 31 lbs
Carton Size: 24" x 24" x 2"

Optional Imprint: Add \$9.50 (r) / Unit
Imprint Size: 4" H x 12" W
Set-Up Charge: \$65 (v) / Imprint



Foldable 3-Panel Desk Shield



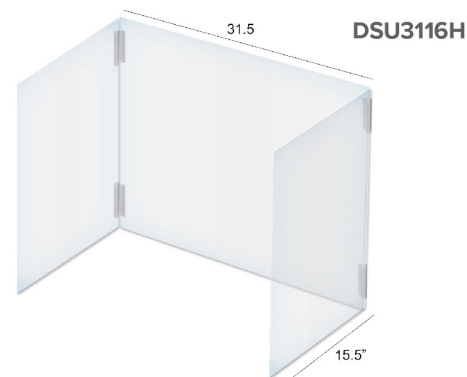
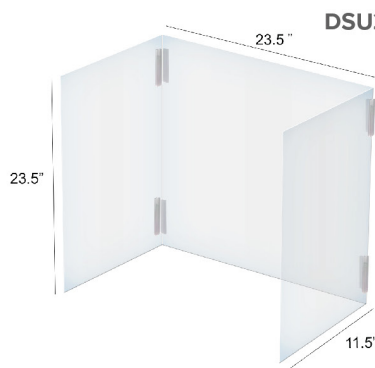
- 23-1/2" H x 31-1/2" W with 15-1/2" W Side Panels
- Includes Adjustable Hinges
- 1/8" Thickness Shield with Rounded Corners
- Optional Slot and/or Handle Slot at NO Additional Charge

Adjustable Hinges!

4R	1	10	25	50
DSU3116H Blank	\$130.00	\$109.00	\$104.00	\$94.00

Product Size: 23-1/2" H x 31-1/2" W x 15-1/2" W Sides
Product Material: 1/8" Acrylic
Standard Packing: 4 Units / Carton 32 lbs
Carton Size: 32" x 24" x 2"

Optional Imprint: Add \$9.50 (r) / Unit
Imprint Size: 4" H x 12" W
Set-Up Charge: \$65 (v) / Imprint



PUMP & SPRAY BOTTLES



Brilliant Color!
PROCESS DIGITAL PRINTING
Add \$0.60 (v) / Unit
See Page 15 for Details



BOT16S

BOT16P

BOT16F

16oz Cleaning Bottles

- 16oz Bottle with Flip Top / Spray / Pump Lids
- Molded from Recycled Code 2 HDPE (High Density Polyethylene)
- Cleaning Ingredient Not Included

4R	200	500	1000	2500
BOT16F - Flip Top	\$1.94	\$1.79	\$1.64	\$1.49
BOT16P - Pump Top	\$2.34	\$2.19	\$2.04	\$1.89
BOT16S - Spray Top	\$2.64	\$2.49	\$2.34	\$2.19

Imprint Area: 3" H x 3-1/2" W
 Wrap Imprint: 2-1/2" H x 8" W x 1-1/4" Gap
 BOT16F Product Size: 6-13/16" H x 2-7/8" W
 BOT16P Product Size: 8-1/4" H x 2-7/8" W
 BOT16S Product Size: 8-3/4" H x 2-7/8" W



BOT16F Standard Packing: 100 Units / Carton 9 lbs
 BOT 16P Standard Packing: 100 Units / Carton 11 lbs
 BOT 16S Standard Packing: 100 Units / Carton 14 lbs
 Carton Size: 24" x 18" x 17"



HBOT32S

HBOT16P

HBOT16F

16oz Cleaning Bottles with View Stripe

- 16oz Bottle with Flip Top / Spray / Pump Lids
- Molded from Recycled Code 2 HDPE (High Density Polyethylene)
- Features Clear View Stripe to Easily See the Level of the Contents
- Cleaning Ingredient Not Included

4R	200	500	1000	2500
HBOT16F - Flip Top	\$2.10	\$1.95	\$1.80	\$1.65
HBOT16P - Pump Top	\$2.64	\$2.49	\$2.34	\$2.19
HBOT16S - Spray Top	\$2.94	\$2.79	\$2.64	\$2.49



Brilliant Color!
PROCESS DIGITAL PRINTING
HBOT16: Add \$0.75 (v) / Unit / Min. 500
HBOT32: Add \$1.20 (v) / Unit / Min. 500
See Page 15 for Details

Imprint Area: 3-5/8" H x 2-1/2" W
 Wrap Imprint: 3-5/8" H x 7-1/8" W
 HBOT16F Size: 8" H x 2-5/8" W
 HBOT16P Size: 9-1/4" H x 2-5/8" W
 HBOT16S Size: 9-1/5" H x 2-5/8" W
 Standard Packing: 100 Units / Carton 16lbs
 Carton Size: 22" x 16" x 16"

32oz Cleaning Sports Quart

- 32oz Bottle Adjustable Nozzle for Mist or Sealed
- Molded from Recycled Code 2 HDPE (High Density Polyethylene)
- Cleaning Ingredient Not Included

4R	200	500	1000	2500
HBOT32S 1c Imprint	\$3.20	\$3.05	\$2.90	\$2.75



Product Size: 9-3/4" H x 3-1/4" W
 Imprint Area: 5" H x 4" W / Side
 Wrap Imprint: 5" H x 9" W x 1-1/4" Gap
 Standard Packing: 50 Units / Carton 15 lbs
 Carton Size: 17" x 18" x 24"



Brilliant Color!
4C PROCESS DIGITAL PRINTING

TBOT20: Add \$0.90 (v) / Unit
TBOT24: Add \$1.20 (v) / Unit
TBOT32: Add \$1.20 (v) / Unit / Min. 500
See Page 15 for Details

20oz Transparent Cleaning Bottles

- Molded from PETE - Recycled Code 1
- Cleaning Ingredient Not Included
- Available in Three Styles: Flip Top Lid, Pump or Spray

4R	200	500	1000	2500
TBOT20F - Flip Top	\$2.20	\$2.05	\$1.90	\$1.75
TBOT20P - Pump Top	\$2.74	\$2.59	\$2.44	\$2.29
TBOT20S - Spray Top	\$3.20	\$3.05	\$2.90	\$2.75

Imprint Area: 2-3/4" H x 3-1/2" W
Wrap Imprint: 2-3/4" H x 8" W x 1-1/8" Gap



TBOT20F Product Size: 8-5/8" H x 2-7/8" W
TBOT20 P/S Product Size: 7-5/8" H x 2-7/8" W

TBOT20F/P Standard Packing: 100 Units / Carton 17 lbs
TBOT20S Standard Packing: 100 Units / Carton 24 lbs

TBOT20F/P Carton Size: 24" x 18" x 17"
TBOT20S Carton Size: 24" x 18" x 20"

24oz Transparent Cleaning Bottles

- Molded from PETE - Recycled Code 1
- Cleaning Ingredient Not Included
- Available in Two Styles: Pump or Spray

4R	200	500	1000	2500
TBOT24P - Pump Top	\$2.79	\$2.64	\$2.49	\$2.34
TBOT24S - Spray Top	\$3.25	\$3.10	\$2.95	\$2.80

Imprint Area: 4-1/2" H x 3" W
Wrap Imprint: 4-1/2" H x 7-1/2" W x 1-1/4" Gap



TBOT24P Product Size: 11" H x 2-3/4" W
TBOT24S Product Size: 10-3/4" H x 2-3/4" W
Standard Packing: 100 Units / Carton 22 lbs
Carton Size: 24" x 18" x 21"

32oz Transparent Cleaning Bottles

- Molded from PETE - Recycled Code 1
- Cleaning Ingredient Not Included
- Available in Two Styles: Pump or Spray

4R	200	500	1000	2500
TBOT32P - Pump Top	\$2.84	\$2.69	\$2.54	\$2.39
TBOT32S - Spray Top	\$3.30	\$3.15	\$3.00	\$2.85

Imprint Area: 5" H x 4" W
Wrap Imprint: 5" H x 9" W x 1-1/4" Gap



TBOT24P Product Size: 11" H x 3-1/4" W
TBOT24S Product Size: 11-3/4" H x 3-1/4" W
Standard Packing: 50 Units / Carton 15 lbs
Carton Size: 24" x 18" x 17"



TBOT20S

TBOT20F

TBOT20P

TBOT24S

TBOT24P

TBOT32S

TBOT32P

ESSENTIAL FIRST AID KITS



Grab 'N Go Safety Kit

- Includes Three Adhesive Bandages and Two Hand Sanitizer Packets

4R	250	500	1000	2500
GK2D 1c Imprint	\$1.87	\$1.72	\$1.57	\$1.42



Product Size: 4-3/8" H x 2-1/16" W x 1/2" D
 Imprint Size Front: 1-5/8" H x 1-1/2" W
 Imprint Size Back: 3-3/8" H x 1-1/4" W
 Imprint Size Flip-Top: 1" H x 1-1/8" W

Imprint Area: Front / Back / Flip-Top
 Product Material: Polypropylene
 Standard Packing: 250 Units / Carton 18 lbs
 Carton Size: 20" x 16" x 9"

Brilliant Color!
 4c PROCESS DIGITAL PRINTING
 Add \$0.45 (v) / Unit
 See Page 15 for Details



Compact Sanitizer Kit

- Small, Compact, Safety Kit
- Includes Three Hand Sanitizer Packets

4R	250	500	1000	2500
HS16 1c Imprint	\$2.12	\$1.97	\$1.82	\$1.67



Product Size: 4" H x 2-3/8" W x 9/16" D
 Imprint Area: Center
 Imprint Size: 1-5/8" H x 2-3/4" W

Product Material: Polypropylene
 Standard Packing: 250 Units / Carton 20 lbs
 Carton Size: 20" x 15" x 9"



Brilliant Color!
 4c PROCESS DIGITAL PRINTING
 Add \$0.60 (v) / Unit
 See Page 15 for Details



Best Seller! Antimicrobial and Sanitizer Kit

- Small, Compact, Safety Kit
- Includes Three Hand Sanitizer Packets and Three Antimicrobial Wipes

4R	250	500	1000	2500
FA348 1c Imprint	\$3.24	\$3.04	\$2.84	\$2.64



Product Size: 3-1/8" H x 4-1/4" W x 7/8" D
 Imprint Area: Center
 Imprint Size Size: 1-7/8" H x 3-1/2" W

Product Material: Polypropylene
 Standard Packing: 250 Units / Carton 26 lbs
 Carton Size: 22" x 16" x 10"



Brilliant Color!
 4c PROCESS DIGITAL PRINTING
 Add \$0.75 (v) / Unit
 See Page 15 for Details



Forehead Thermometer Kit

- Reusable, Reliable, Temperature Kit
- FDA Registered Medical Device #1526410

4R	250	500	1000	2500
FA900 1c Imprint	\$2.20	\$2.05	\$1.90	\$1.75

Product Size: 1-3/16" H x 3-3/4" W
 Imprint Area: Center
 Imprint Size: 3/4" H x 3" W

Product Material: Polystyrene
 Standard Packing: 500 Units / Carton 15 lbs
 Carton Size: 16" x 16" x 5"



Brilliant Color!
 4c PROCESS DIGITAL PRINTING
 Add \$0.45 (v) / Unit
 See Page 15 for Details



DS56

Best Seller!

Antimicrobial and Sanitizer Kit

- Compact Polyester Drawstring Bag
- Includes Three Hand Sanitizer Packets and Three Antimicrobial Wipes
- Custom Kits are Available Upon Request

4R	100	250	500	1000
DS56 1c Imprint	\$3.11	\$2.91	\$2.71	\$2.51



Product Size: 5" H x 5" W
Imprint Area: Center
Imprint Size: 2-3/4" H x 3-1/2" W

Product Material: 210D Polyester
Standard Packing: 250 Units / Carton 21 lbs
Carton Size: 20" x 17" x 10"



DS59

Drawstring Hand Sanitizer Kit

- Compact Polyester Drawstring Bag
- Includes Nitrile Gloves, One Face Mask & 1 oz. Hand Sanitizer Gel
- Custom Kits are Available Upon Request

4R	100	250	500	1000
DS59 1c Imprint	\$4.79	\$4.59	\$4.39	\$4.19



Product Size: 5" H x 5" W
Imprint Area: Center
Imprint Size: 2-3/4" H x 3-1/2" W

Product Material: 210D Polyester
Standard Packing: 250 Units / Carton 21 lbs
Carton Size: 20" x 17" x 10"



Zipper Tote Antimicrobial and Hand Sanitizer Kit

- Polyester Zipper Bag with Black Swivel Clip
- Custom Kits are Available Upon Request
- Includes Three Hand Sanitizer Packets and Three Antimicrobial Wipes

4R	150	250	500	1000
PZ56 1c Imprint	\$3.24	\$3.04	\$2.84	\$2.64



Product Size: 3-1/4" H x 4-3/4" W
Imprint Area: Center / 1 Side
Imprint Size: 1-1/2" H x 3-1/2" W

Product Material: 210D Polyester
Standard Packing: 250 Units / Carton 17 lbs
Carton Size: 20" x 15" x 10"

Ordering Information

All Prices Include 1c Imprint (Except Counter / Desk Shields)
Standard Production Time: 5-7 Work Days
3-Day Rush Service: No Extra Charge on Request
Screen Charge \$55 (v) / Color / Location - \$25 (v) for Repeat Orders
Less than Minimum: Add \$50 (v) to Minimum Price - Half Catalog Min.
Production Proof: Add \$40 (v) / Color
PMS Match: Add \$50 (v) / Color (Provide Sample to Match on Reorders)
FOB Point: Bronx NY
Drop Shipments: Add \$10(v) / Location
Third Party Handling: Add \$2.50 (v) / Location - Maximum \$20 (z) / Shipment



Set-up Charge: \$65 (v) / Imprint
Imprint Charge is in Addition to 1c Price
PMS Match is NOT Available - CMYK ONLY
Production Time 7-10 Work Days
Rush Service Available on Most Items - Call for Availability



Cotton Drawstring Sanitizer Kit

- Renewable and Reusable Canvas 5 oz Cotton Tote
- Custom Kits are Available Upon Request
- Includes Nitrile Gloves, One Face Mask & 1 oz. Hand Sanitizer Gel

4R	100	250	500	1000
CT649 1c Imprint	\$5.84	\$5.64	\$5.44	\$5.24



Product Size: 6" H x 4-1/2" W
 Imprint Area: Center
 Imprint Size: 3" H x 3" W

Product Material: 5 oz. Cotton
 Standard Packing: 250 Units / Carton 16 lbs
 Carton Size: 20" x 15" x 11"



Zipper Tote Sanitizer Kit

- Zipper Tote Bag with Belt Strap and Clasp (Includes Essentials)
- 2-Tone Design with a Small Pocket in the Front
- Includes Nitrile Gloves, Two Face Masks, 1 oz. Hand Sanitizer Gel
 Six Adhesive Bandages, Six Antiseptic Towelettes and One First Aid Card

4R	50	100	250	500
PZ549 1c Imprint	\$9.89	\$9.39	\$8.89	\$8.39



Product Size: 5-3/4" H x 4-3/4" W x 2" D
 Imprint Area: Center
 Imprint Size: 1-1/2" H x 2-1/2" W

Product Material: 600D Polyester Fabric
 Standard Packing: 50 Units / Carton 30 lbs
 Carton Size: 25" x 11" x 14"



Sports Bottle with Mask and Hand Sanitizer

- 20 Oz. Reusable Sports Bottle with Flip Top Lid
- Includes One Sports Bottle, One Facemask & 1 oz. Hand Sanitizer Gel
- Custom Kits Available Upon Request
- FDA Compliant

4R	100	250	500	1000
TB20MH1 1c Imprint	\$4.30	\$4.15	\$4.00	\$3.85



Product Size: 7-5/8" H x 2-7/8" W
 Imprint Area: Center
 Imprint Size: 2-3/4" H x 3-1/2" W

Product Material: PETE
 Standard Packing: 100 Units / Carton 30 lbs
 Carton Size: 24" x 18" x 17"